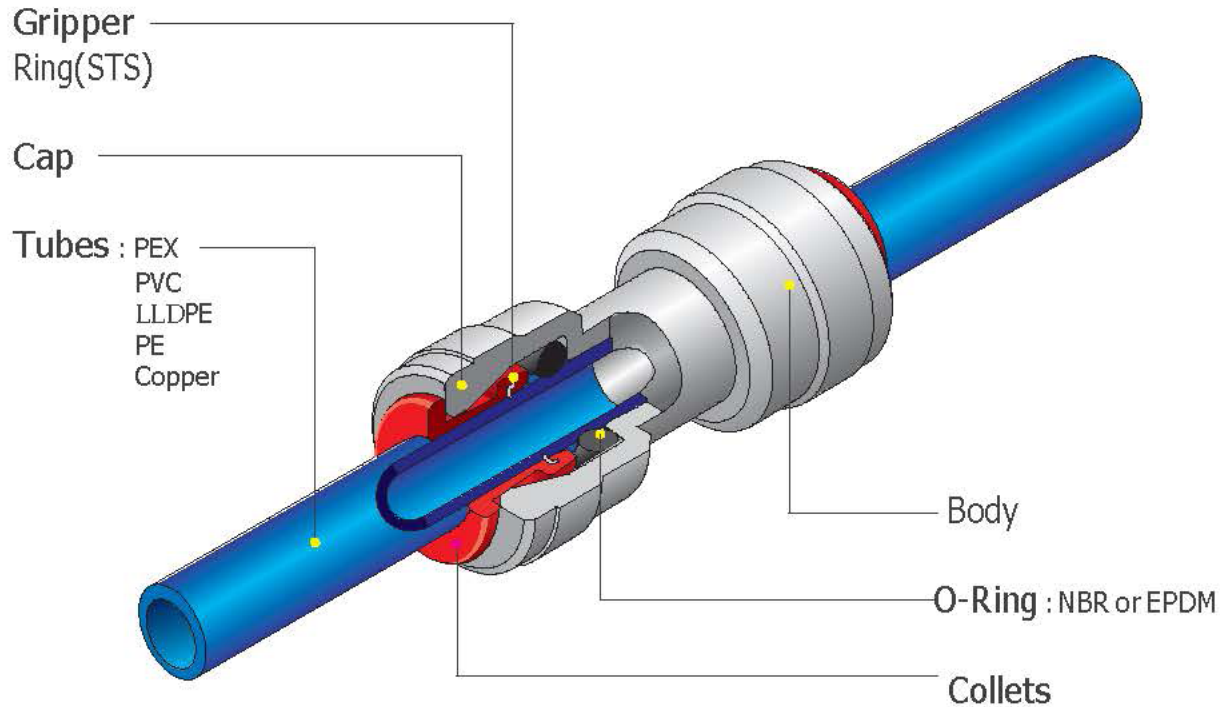


Polypropylene & Acetal Water Treatment Fittings & Valves



Material Characteristics

Acetal, also known as POM is highly durable and resistant to fatigue and creep. It has high resistance to a wide range of organic & inorganic chemicals and detergents. Not recommended for use with strong acids or repeated exposure to strong oxidizers.

Polypropylene Has excellent chemical resistance, cold endurance, and high tolerance to oxidizers.

Product Specifications

Max. Working Pressure: 230 psi (1/4) / 170 psi (3/8) at 70°F (21°C).

Max. Temp.: 150°F (65°C) at up to 150 psi for 1/4, 100 psi for 3/8.

ANSI/NSF-51/61, WRAS, ACS, KTW, DVGW-W270, US FDA approved materials. Widely used in water purification, food/beverage. EPDM O-Ring.



Certified to NSF/ANSI 61-G